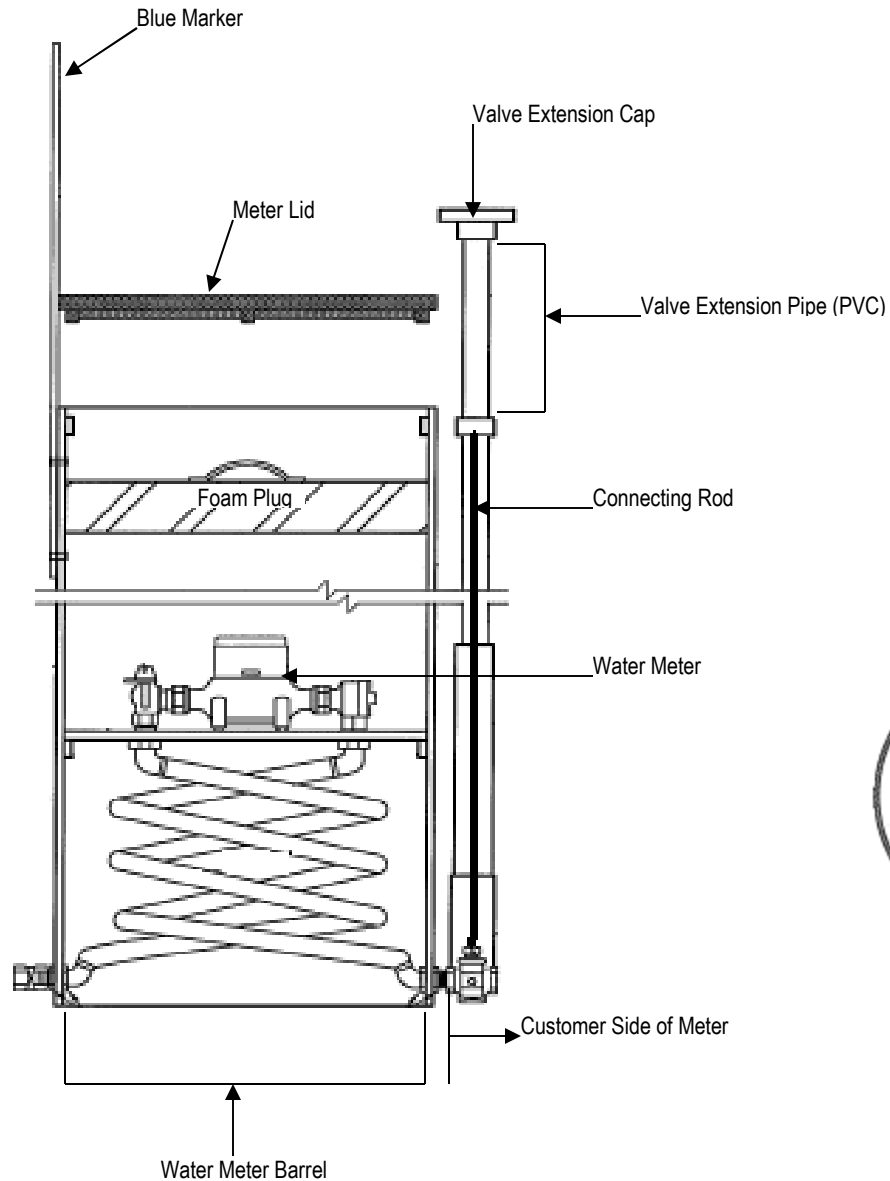
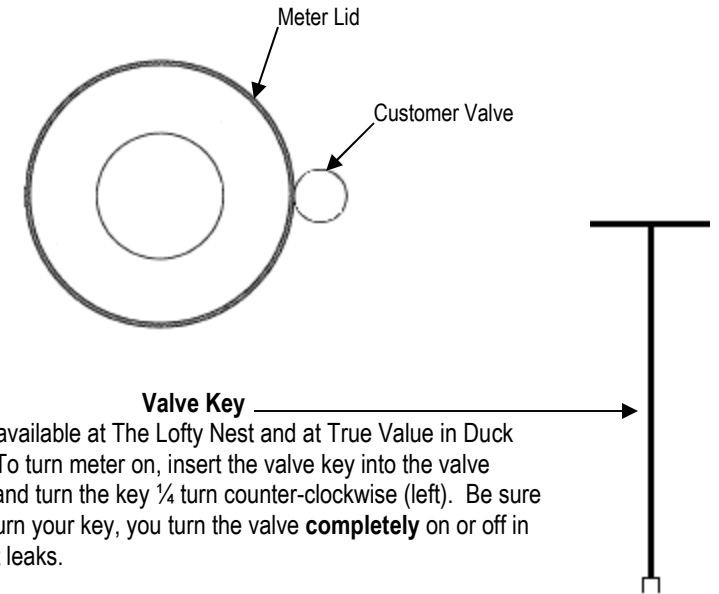


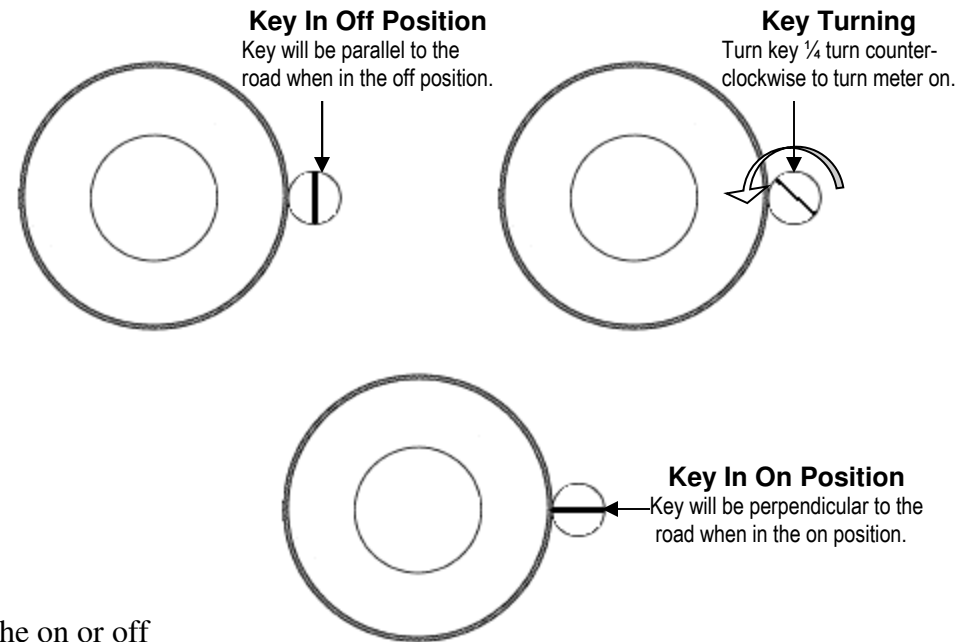
Water Meter Barrel Detail—Side View



Water Meter Barrel Detail—Top View



Valve keys are available at The Lofty Nest and at True Value in Duck Creek Village. To turn meter on, insert the valve key into the valve extension pipe and turn the key $\frac{1}{4}$ turn counter-clockwise (left). Be sure that when you turn your key, you turn the valve **completely** on or off in order to prevent leaks.



IMPORTANT: ALWAYS ensure that the valve is fully in either the on or off position. Leaving the valve partway between the on and off position will result in water running through the stop and waste valve, which registers as usage on your meter. This will result in high water charges on your bill.